

Data Sheet

Smart-Cart™

Mobile Powered Computing Platform

Key Features

- Versatile mobile mounting system
- Robust construction with low friction castors and small footprint for easy manoeuvrability
- An easy to clean design
- Available with shelf, or enclosure to house PC units from various computer manufactures
- Accessories available include baskets, barcode reader holders, and cable hooks
- Custom mountings, fixtures and accessories available upon request
- OEM and custom solutions

Description

Our Smart-Cart range of heavy-duty mobile computing platforms are ideal for applications that require larger power delivery or longer run times. The system is both versatile and flexible, and built on a stable platform.

The whole range of Smart-Carts are “power ready”, and are fitted with SLA battery modules that can be easily removed for simple battery replacement.

The Smart-Cart range has a motorised rise and fall system, providing effortless height adjustment, irrespective of what is mounted, making it suitable for large single and double displays, and large form factor PCs.

Infection Control

As with all of Bytec’s healthcare products, the Smart-Cart range has been designed to be infection control friendly, with special attention to surface finishes, textures and materials.

Smooth contours and covered recesses allow for thorough cleaning, quickly and effectively.

Bytec Medical have a range of compact infection control keyboards which can be used with the Smart-Cart. The innovative Medi-Key™ wireless keyboard and touch pad provides the best designed solution to data entry and infection control.

Durability

Using a custom-made cast aluminium base, proprietary lift system and strong castors, our tests have shown that our carts can stand up to the rigours of a long working day.

With minimal maintenance required, our carts are designed to provide long, trouble-free use throughout any healthcare environment.



User Customisations

Every application or use is different, and so are the many configurations that leave our workshop.

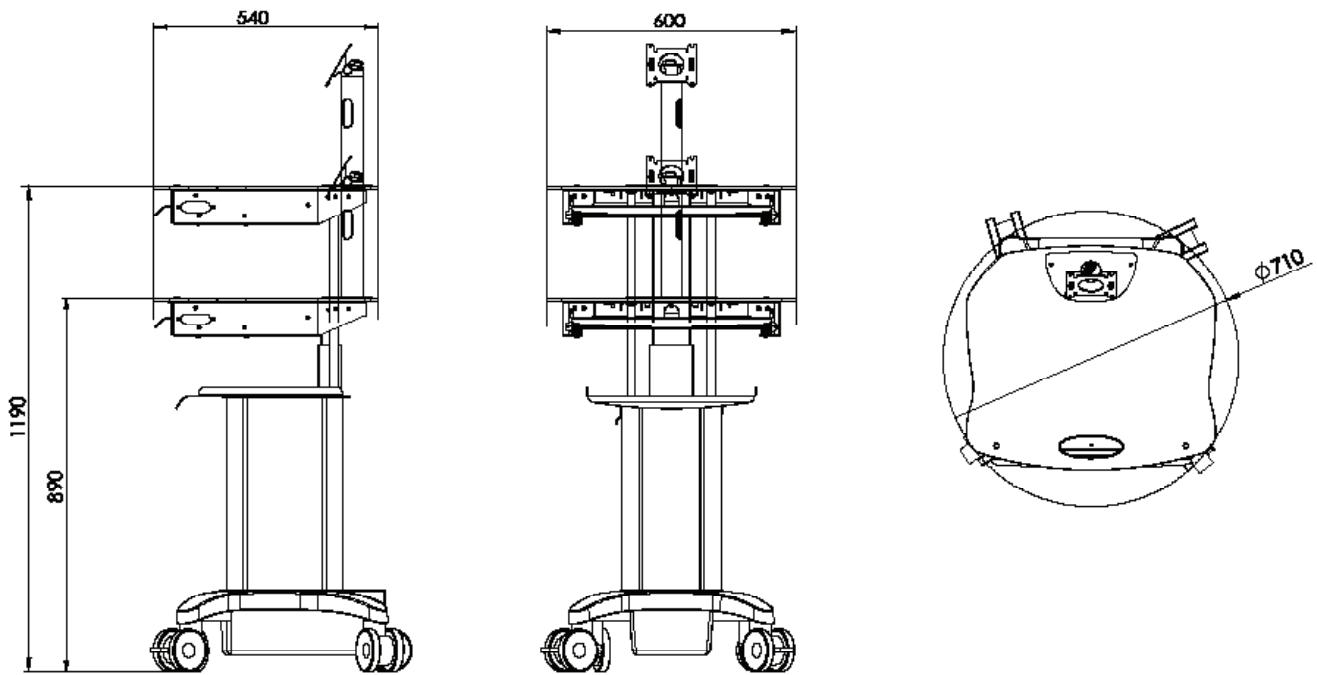
The Smart-Cart has been designed to allow for easy, and modular customisation to meet your specific needs. Your cart can be colour coded (subject to minimum order quantities) and have additional baskets, hooks and mounting solutions to match with your existing or future hardware requirements.

If you require a specific mounting bracket, holder or accessory, our engineering team may be able to help.

Ease of Installation

The Smart-Cart can be supplied either partly assembled, or provided preconfigured to meet your requirements.

Please discuss your requirement with your local Bytec partner, who will be able to offer you a range of additional services.



All measurements are shown in mm

Physical Characteristics

- Sit-to-stand height adjustment (300mm)
- Maximum carrying load of up to 20 kg
- Maximum tilt angle of 10° in a static tilt test as per according to EN 60601-1 section 9.4.2.1
- Strong castors: 2x free running, 2x locking
- Available accessories: basket, medical rail mount, cable hook, single shelf and PC enclosure
- Turning circle of 710mm diameter
- Integrated cable management
- EN60601-1-2

Ordering Information

Please call our sales team on +44 (0)1737 378 800 to discuss your specific requirements.

Custom engineering design services available.



Bytec Medical Limited is a wholly owned subsidiary of Bytec Group Limited.

Bytec Group provides custom OEM design, engineering and manufacturing solutions to the healthcare and industrial sectors.

www.bytec.co.uk

For more information or to discuss your specific requirements please call our technical sales team. Specification may change at any time. All dimensions are in mm. Medi-Key, MIT-Cart and Geni-Tec are trademarks of Bytec Group Limited, all other trademarks are the property of their respective owners.

Bytec Medical Limited
Unit 1 Perrywood Business Park
Honeycrock Lane, Salfords
Surrey RH1 5DZ United Kingdom

Tel: +44 (0) 1737 378 800
Fax: +44 (0) 1737 378 801

